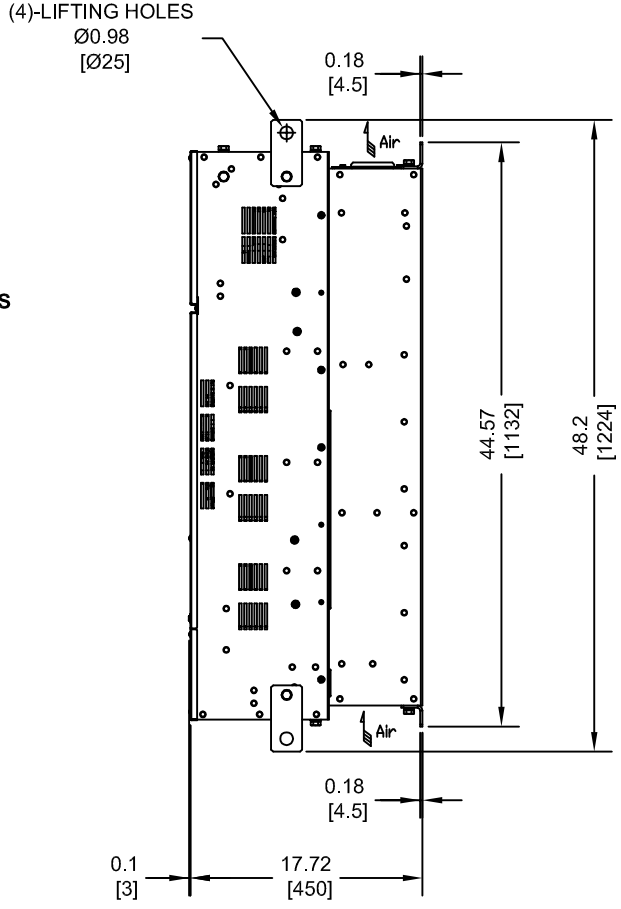
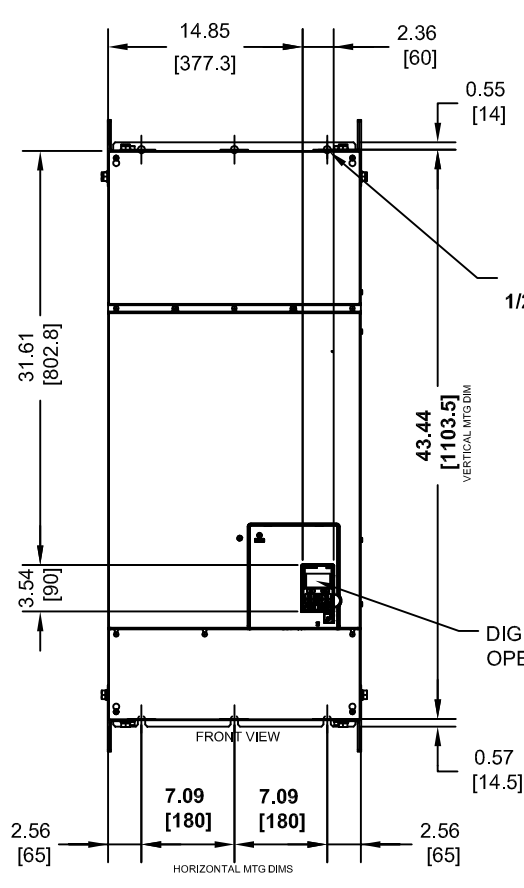
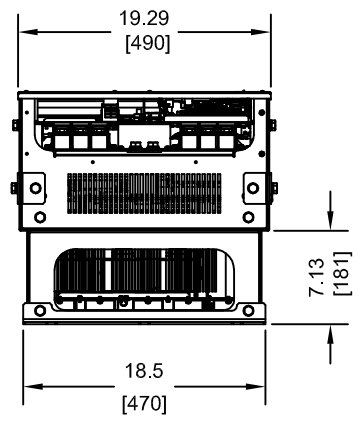


NOTE:
SPREADER BAR REQUIRED TO
AVOID DAMAGE DURING LIFTING



(6)-MOUNTING HOLES FOR 1/2" [M12] SCREWS

DIGITAL OPERATOR



MODEL # CIMR-ZU	VOLTAGE 3-PHASE (VAC)	OUTPUT CURRENT (A)	WEIGHT LBS (Kg)	WEIGHT WITHOUT EMC FILTER LBS (Kg)	HEAT LOSS (W) (Fc=4kHz)		
					INT	EXT	TOT
2Y0248AXX	200/240	248	398 (181)	387 (176)	578	3785	4363
4Y0216AXX	380/480*	216	398 (181)	387 (176)	587	3720	4307
4Y0240AXX		240	398 (181)	387 (176)	600	3897	4497

NOTES:
Y DENOTES A-Z
XX DENOTES AA-ZZ
* - FOR MODELS WITHOUT INTEGRAL EMC FILTER,
VOLTAGE RATING IS 380/500.

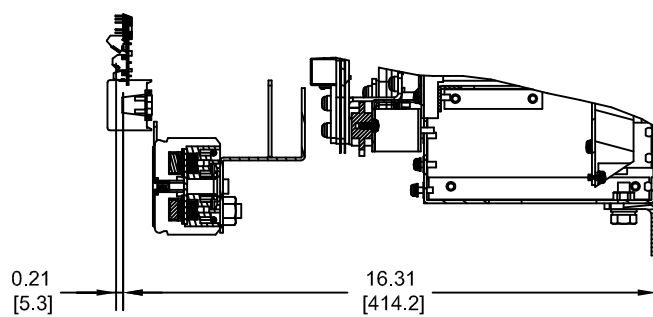
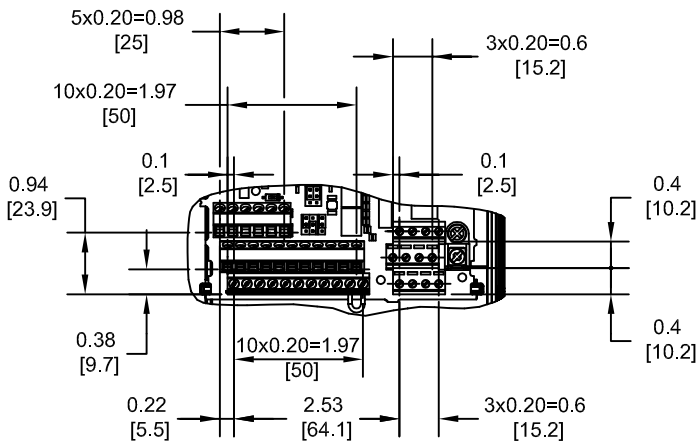
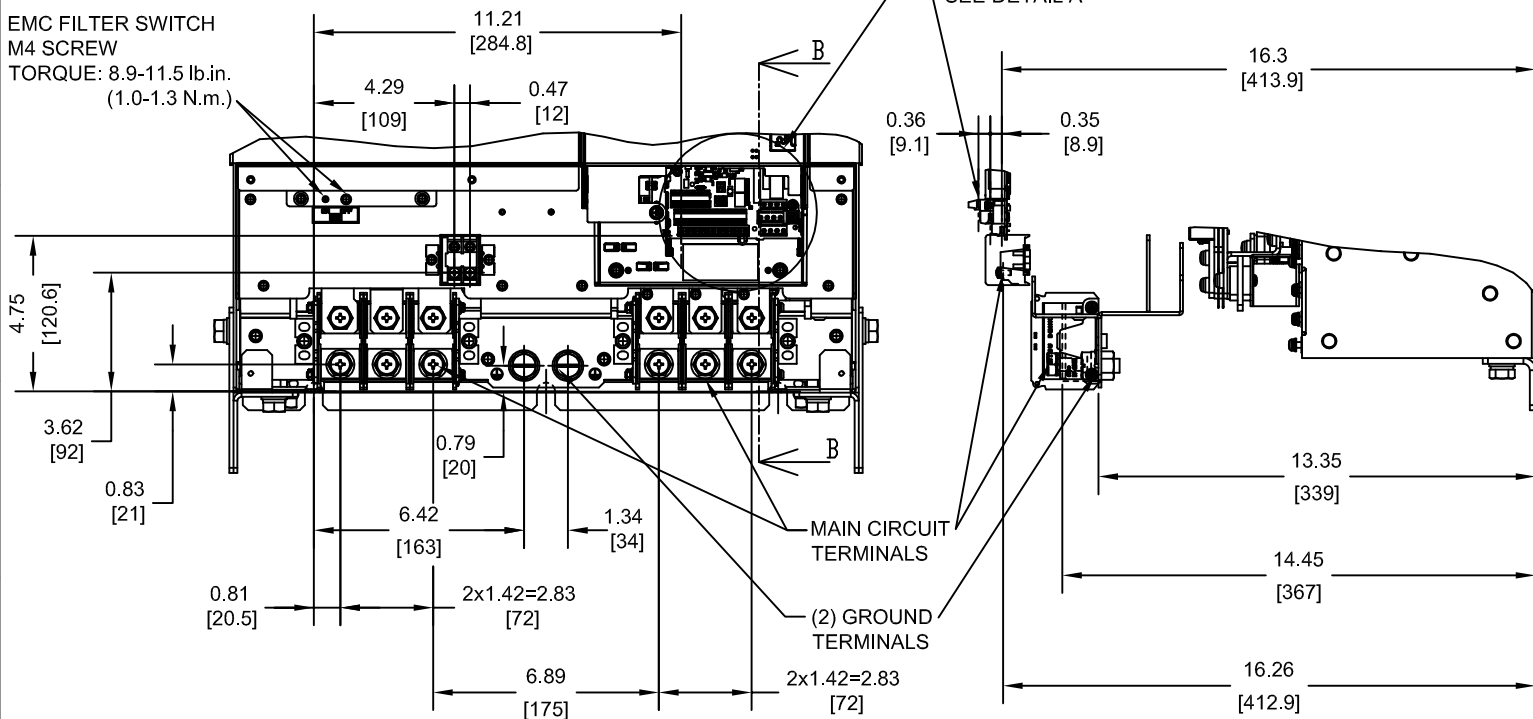
INT=INTERNAL COMPONENTS
EXT=EXTERNAL HEATSINK
TOT=TOTAL

FOR ADDITIONAL DETAILS AND SPECIFICATIONS, CONSULT MANUAL

TOLERANCES / REFERENCES:		<p>THIS DOCUMENT AND INFORMATION CONTAINED IN IT ARE CONFIDENTIAL, AND CANNOT BE COPIED OR DISCLOSED IN WHOLE OR IN PART WITHOUT THE EXPRESS WRITTEN CONSENT OF YASKAWA AMERICA, INC.</p>	DRAWN: J. MATTAS	DATE: 12-10-14	TITLE: Z1000U DIMENSION DRAWING FRAME SIZE 4.5 IP00 ENCLOSURE 2A0248, 4A0216 AND 4A0240	
			CHECKED: J. PIOTROWSKI	DATE: 12-16-14		
			TECH: J. BORJA	DATE: 12-17-14		
			APPROVED: J. CAIRO	DATE: 2-10-15		
UNITS: IN[mm]	SCALE: 1:15	ORIGINAL DESIGN: -	DATE: -	SIZE: A	REVISION: R00	PAGE: 1 of 3
				DRAWING #: DD.Z1KU.FR4.5.IP00		

TERMINAL AND WIRING DETAILS (SCALE 1:6)

EMC FILTER SWITCH
M4 SCREW
TORQUE: 8.9-11.5 lb.in.
(1.0-1.3 N.m.)



DETAIL A (SCALE 1:3)
CONTROL CIRCUIT TERMINALS

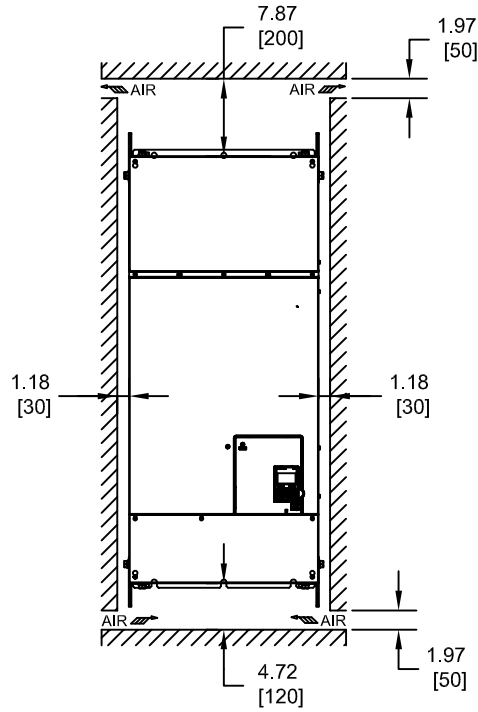
TERMINAL AND WIRE SPECIFICATIONS FOR
MAIN CIRCUIT AND GROUND

MODEL # CIMR-ZU	TERMINAL SYMBOL	TERMINAL SCREW	CLAMPING TORQUE lb.in.(N.m.)	WIRE RANGE AWG(mm ²)
2A0248 4A0216 4A0240	R/L1, S/L2, T/L3	M10	133 TO 177 (15 TO 20)	10 TO 4/0 (6 TO 95)
	U/T1, V/T2, W/T3			
	p1, n1	M4	10.6 TO 17.7 (1.2 TO 2.0)	14 TO 12 (2.5 TO 4)
	⊕	M12	278 TO 347 (31.4 TO 39.2)	4 TO 4/0 (25 TO 95)

NOTE: REFER TO APPLICABLE CODES FOR PROPER WIRE TYPE AND SIZE

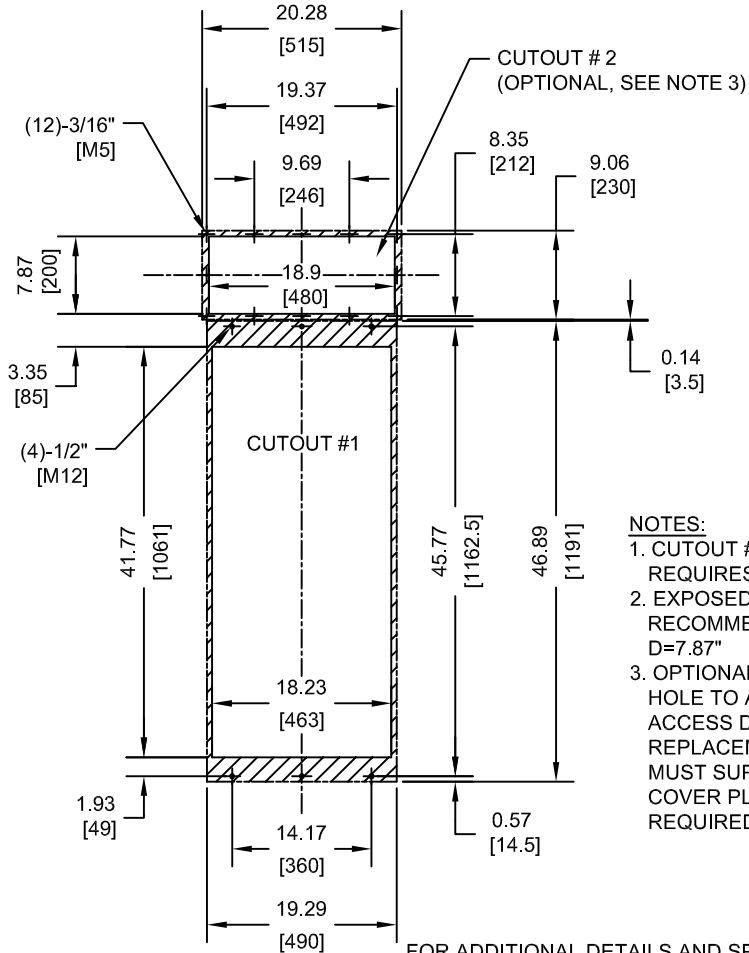
TOLERANCES / REFERENCES:		<p>THIS DOCUMENT AND INFORMATION CONTAINED IN IT ARE CONFIDENTIAL, AND CANNOT BE COPIED OR DISCLOSED IN WHOLE OR IN PART WITHOUT THE EXPRESS WRITTEN CONSENT OF YASKAWA AMERICA, INC.</p>	DRAWN: J. MATTAS CHECKED: J. PIOTROWSKI TECH: J. BORJA APPROVED: J. CAIRO ORIGINAL DESIGN: -	DATE 12-10-14 DATE 12-16-14 DATE 12-17-14 DATE 2-10-15 DATE -	TITLE: Z1000U DIMENSION DRAWING FRAME SIZE 4.5 IP00 ENCLOSURE 2A0248, 4A0216 AND 4A0240 SIZE A REVISION R00 PAGE 2 of 3 DRAWING #: DD.Z1KU.FR4.5.IP00
UNITS: IN[mm]	SCALE: BY VIEW				

MINIMUM INSTALLATION CLEARANCES (SCALE 1:20)



NOTE:
FOR SIDE-BY-SIDE MOUNTING
CONSULT MANUAL

PANEL CUTOUT FOR EXTERNAL HEATSINK
MOUNTING CONFIGURATION (SCALE 1:20)



NOTES:

- CUTOUT #1: EXTERNAL HEATSINK, REQUIRES MOUNTING KIT
- EXPOSED HEATSINK RECOMMENDED CLEARANCE D=7.87"
- OPTIONAL CUTOUT #2 IS AN ACCESS HOLE TO ALLOW FOR FRONT ACCESS DURING HEATSINK COOLING FAN REPLACEMENT. THE PANEL BUILDER MUST SUPPLY THE APPROPRIATE COVER PLATE AND HARDWARE REQUIRED TO CLOSE THIS OPENING.

FOR ADDITIONAL DETAILS AND SPECIFICATIONS, CONSULT MANUAL

TOLERANCES / REFERENCES:			DRAWN: J. MATTAS	DATE: 12-10-14	TITLE: Z1000U DIMENSION DRAWING			
			CHECKED: J. PIOTROWSKI	DATE: 12-16-14	FRAME SIZE 4.5 IP00 ENCLOSURE			
		THIS DOCUMENT AND INFORMATION CONTAINED IN IT ARE CONFIDENTIAL, AND CANNOT BE COPIED OR DISCLOSED IN WHOLE OR IN PART WITHOUT THE EXPRESS WRITTEN CONSENT OF YASKAWA AMERICA, INC.			TECH: J. BORJA	DATE: 12-17-14	2A0248, 4A0216 AND 4A0240	
UNITS: IN[mm]	SCALE: BY VIEW	APPROVED: J. CAIRO		DATE: 2-10-15	SIZE: A	REVISION: R00	PAGE: 3 of 3	
		ORIGINAL DESIGN: -		DATE: -	DRAWING #: DD.Z1KU.FR4.5.IP00			